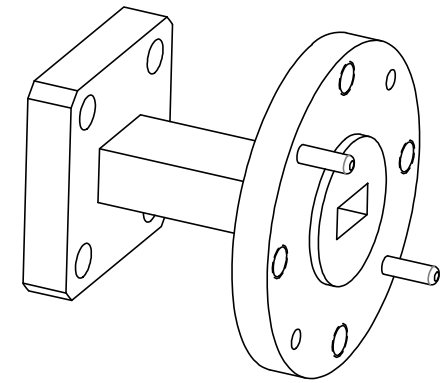
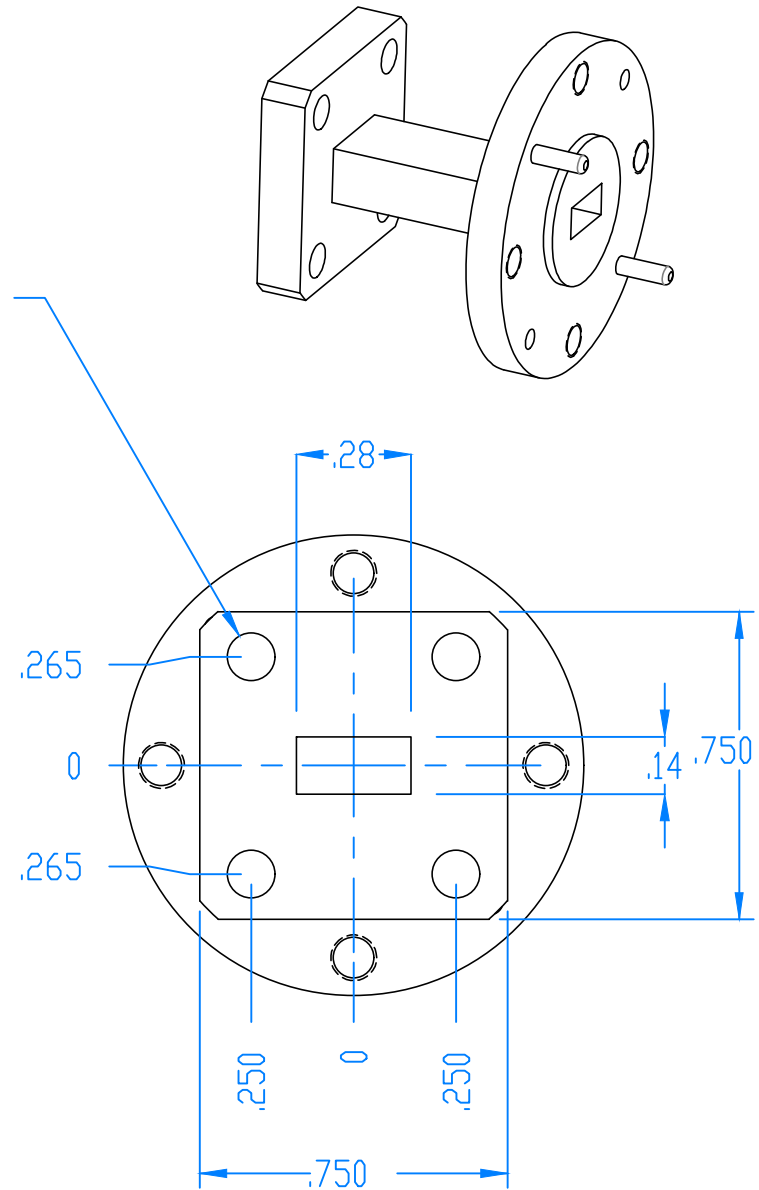
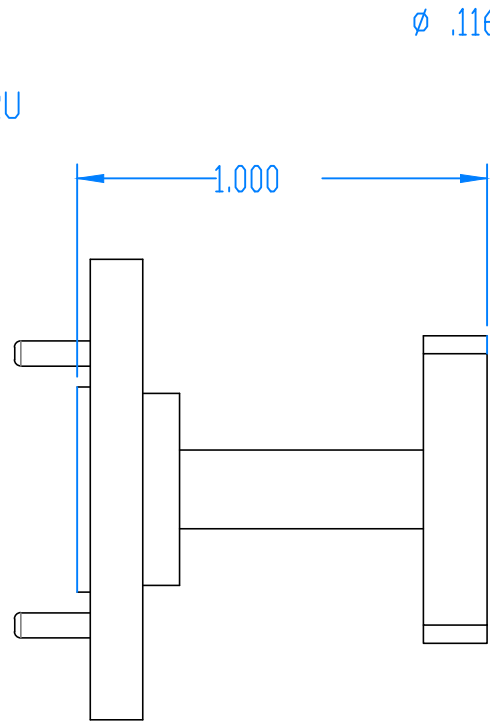
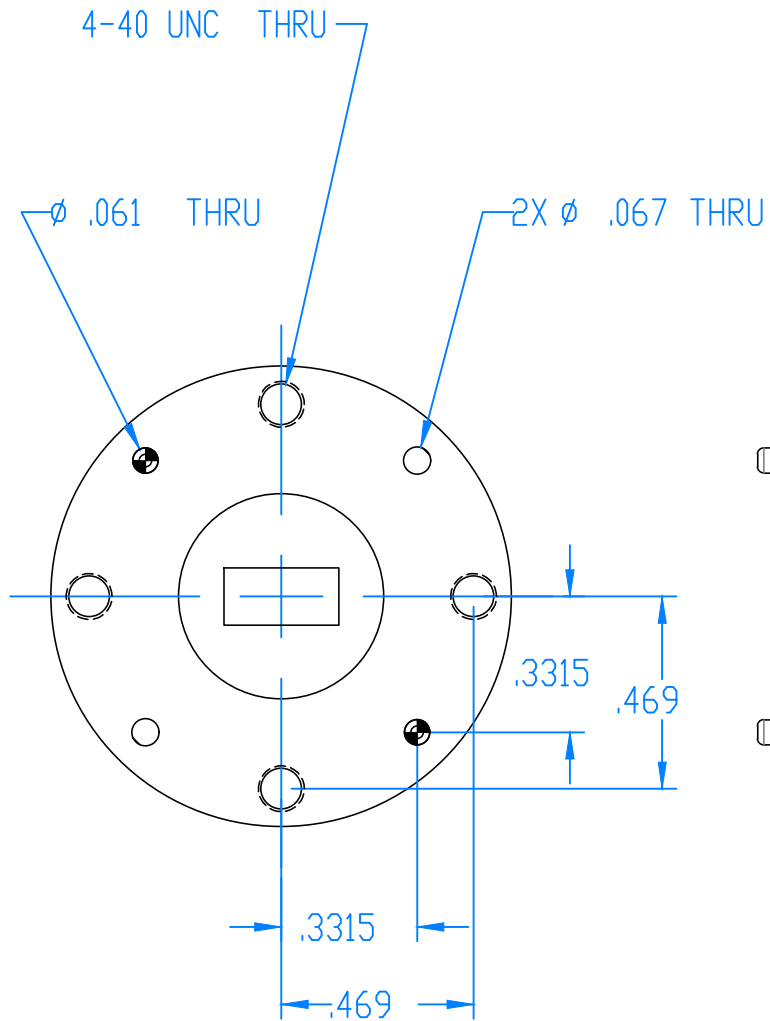


REVISIONS			
REV	DESCRIPTION	DATE	APPROVED
--	--	--	--



DECIMALS: XXXX \pm .0005 XXX \pm .005 XX \pm .01	DRAWN: JV	NAME: JV	DATE: 8-29-17	TITLE: Mi-Wave Millimeter Products Inc.	
ANGLES: \pm .5 DEGREE	CHECKED: MS	ENG: LS	DATE: 8-29-17	SIZE: A	DWG. NO.: 688A-599-383_OUTLINE_26104
THIRD ANGLE PROJECTION	MATL: BRASS/COPPER			SCALE: 2:1	WEIGHT:
					REV 1
					SHEET 1 OF 1